



Series 3000 R-181 Installation Manual

IF Modulator

Monroe Electronics
100 Housel Ave | Lyndonville | NY | 14098
800-821-6001 | 585-765-2254 | fax 585-765-9330
monroe-electronics.com

Printed in USA | Copyright© | Monroe Electronics, Inc.
Specifications subject to change without notice.
P/N 1340204
9/5/02

Warranty

Monroe Electronics, Inc. warrants to the owners, each instrument and sub-assembly manufactured by them to be free from defects in material and workmanship for a period of two years after shipment from factory. This warranty is applicable to the original purchaser only.

Liability under this warranty is limited to service, adjustment or replacement of defective parts (other than fuses or batteries) on any instrument or sub-assembly returned to the factory for this purpose, transportation charges prepaid.

This warranty does not apply to instruments or sub-assemblies subjected to abuse, abnormal operating conditions, or unauthorized repair or modification.

Since Monroe Electronics, Inc. has no control over conditions of use; no warranty is made, or implied as to the suitability of our product for the customer's intended use.

THE WARRANTY SET FORTH IN THIS ARTICLE IS EXCLUSIVE AND IN LIEU OF ALL OTHER WARRANTIES AND REPRESENTATIONS, EXPRESSED, IMPLIED OR STATUTORY INCLUDING, BUT NOT LIMITED TO THE IMPLIED WARRANTIES OF MERCHANTABILITY AND FITNESS. Except for obligations expressly undertaken by Monroe Electronics, in this warranty, Owner hereby waives and releases all rights, claims and remedies with respect to any and all warranties, express, implied or statutory (including without limitation, the implied warranties of merchantability and fitness), and including but without being limited to any obligation of Monroe Electronics with respect to incidental or consequential damages, or damages for loss of use. No agreement or understanding varying or extending the warranty will be binding upon Monroe Electronics unless in writing signed by a duly authorized representative of Monroe Electronics.

In the event of a breach of the foregoing warranty, the liability of Monroe Electronics shall be limited to repairing or replacing the non-conforming goods and/or defective work, and in accordance with the foregoing; Monroe Electronics shall not be liable for any other damages, either direct or consequential.

Return to Factory Policy:

Materials returned to Monroe must have a Return Material Authorization number. To obtain a RMA number, contact our A/V Switching & Control Customer Service at 585-765-2254 or fax 585-765-9330. Customers have 30 days to determine that the product ordered fills their need and performs as described in Monroe's literature. Units returned for approved repair or credit, must be in the original packaging including all parts and paperwork plus be in very good physical condition. If not, the customer is billed the cost to refurbish the unit and for missing accessories and merchandise. No products may be returned for exchange or credit after 12 months of the shipment date. Monroe reserves the right to repair or replace units under warranty.

Product Overview

Monroe Electronics' Series 3000 R-181 IF Modulator (*IF Generator*) accepts audio and video messages from all EAS encoders/decoders and provides audio and video access to all television channels.

The R181 features include:

- High IF output +65 dB, adjustable
- Adjustable audio, video and RF output levels
- An internal power supply for IFV-SW external switches
- Saw Filter / IF filtering
- Two-year warranty

Specifications

Output Frequency:	IF Video: 45.750 MHz IF Audio: 41.250 MHz
RF Output Level:	+65dB, adjustable
A/V Ratio:	-10 to -17 dB
Spurious Output:	- 65 dB minimum
Output Impedance:	75 ohms
DC Switched Power at IF Output:	+ 15V DC @ 1.5 amps
Audio Modulation:	25Khz, adjustable
Power Input:	105 – 125 AC, 60HZ
Physical Specifications:	Dimensions: 19" W x 1.75" H x 10" D Weight: 9 lbs
Equipment Supplied:	IF Power Modulator Manual Cable

Installation

Connect the MIP 921e to the R181 using the four conductor - strip to strip - cable supplied as follows:

- Connect Red and Black wires to the two **STANDBY IN** screws on the rear panel of the R181 and to **RELAY 1**, terminals **5** and **6** on the I/O Connector on the rear panel of the MIP-921e. (Wires are interchangeable.) Refer to figure 3 in the MIP-921e Manual.
- Yellow and Violet wires connect between **AUDIO IN - L & GND** on the R181 and **AUDIO OUT** terminals **7** and **8** on the I/O Connector on the rear panel of the MIP-921e. (Wires are interchangeable.) Refer to figure 3 in the MIP-921e Manual.

Connect the character generator **VIDEO OUT** to the R181 **VIDEO IN 'F'** connector on the rear panel of the R181.

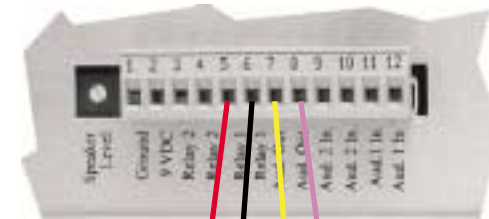
An 'F' connector is provided on the front panel for testing.

Power passing splitters must be used with this system, such as the HSU series splitters from Monroe. HSU-2, 2-way, HSU-4, 4-way and HSU-8, 8-way splitters may be used to design the distribution system. Connect the R181 **IF OUT 'F'** connector to the input terminal of the splitter. Connect the output terminals of the splitter to subsequent splitters as needed. ***DC blocked terminators must be placed on all unused ports.*** Refer to the diagram on the next page.



IF System w/ R181 & CEMS 0500

MIP921^e



red
black
yellow
violet

CX506S

Supplied w/ R181

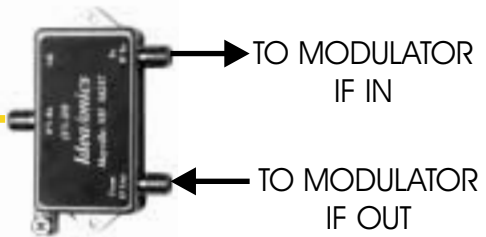
CEMS 0500



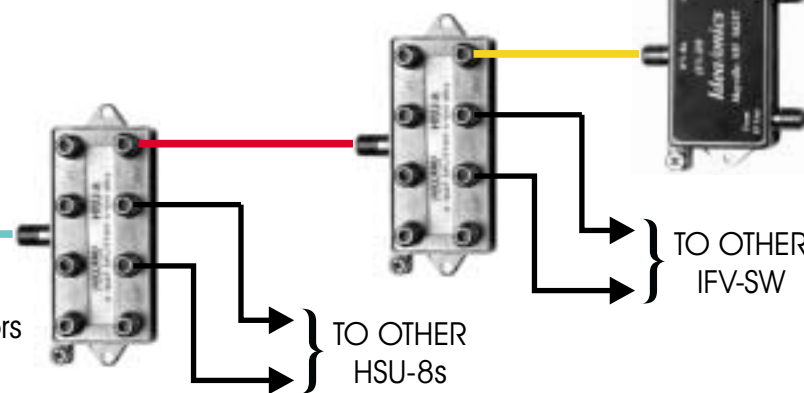
R181



black red yellow violet



TO MODULATOR
IF IN
TO MODULATOR
IF OUT



DC Block Terminators
as needed.

TO OTHER
IFV-SW
TO OTHER
HSU-8s

